

INFO-SHEET

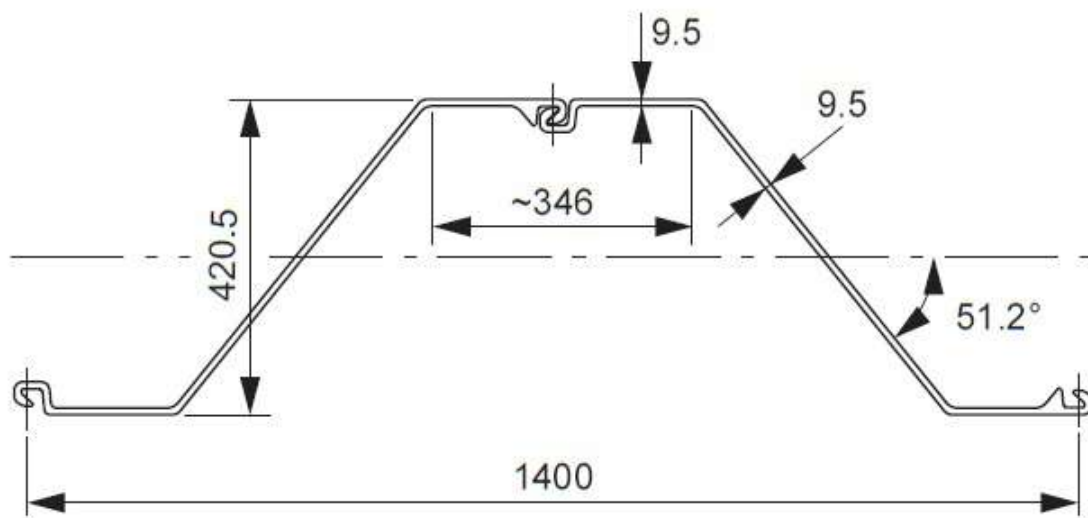
Steel Sheet Pile

MAR. 08



ArcelorMittal

AZ 19-700



scale: 1/10

	Sectional area cm ²	Mass kg / m	Moment of inertia cm ⁴	Elastic section modulus cm ³	Plastic section modulus cm ³	Static moment cm ³	Radius of gyration cm	Coating area * m ² / m
Single Pile	101.9	80.0	27 560	1 310			16.44	0.93
Double Pile	203.8	160.0	55 130	2 620			16.44	1.86
Per m of wall	145.6	114.3	39 380	1 870	2 206	1 105	16.44	1.33

ArcelorMittal reserves the right to change the section properties without prior notice

* 1 side, excluding inside of interlocks

ArcelorMittal Commercial RPS S.à r.l.
Sheet Piling
66, rue de Luxembourg
L-4221 Esch sur Alzette | Luxembourg

T +352 5313 3105
F +352 5313 3290
www.arcelormittal.com/sheetpiling
sheet-piling@arcelormittal.com

31.03.2008